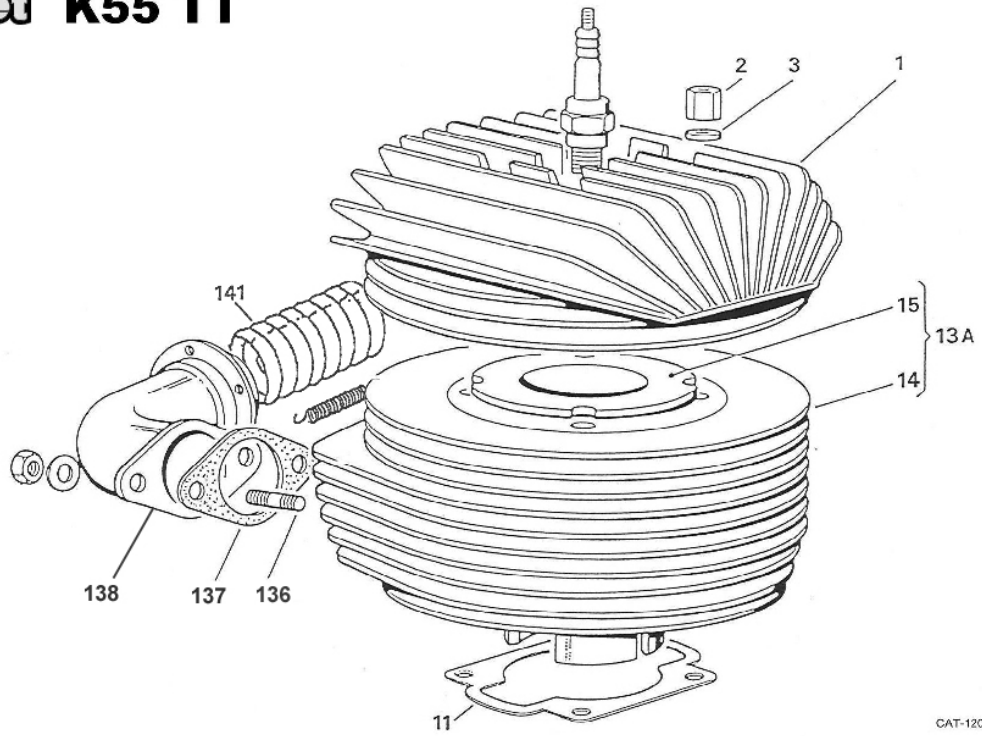
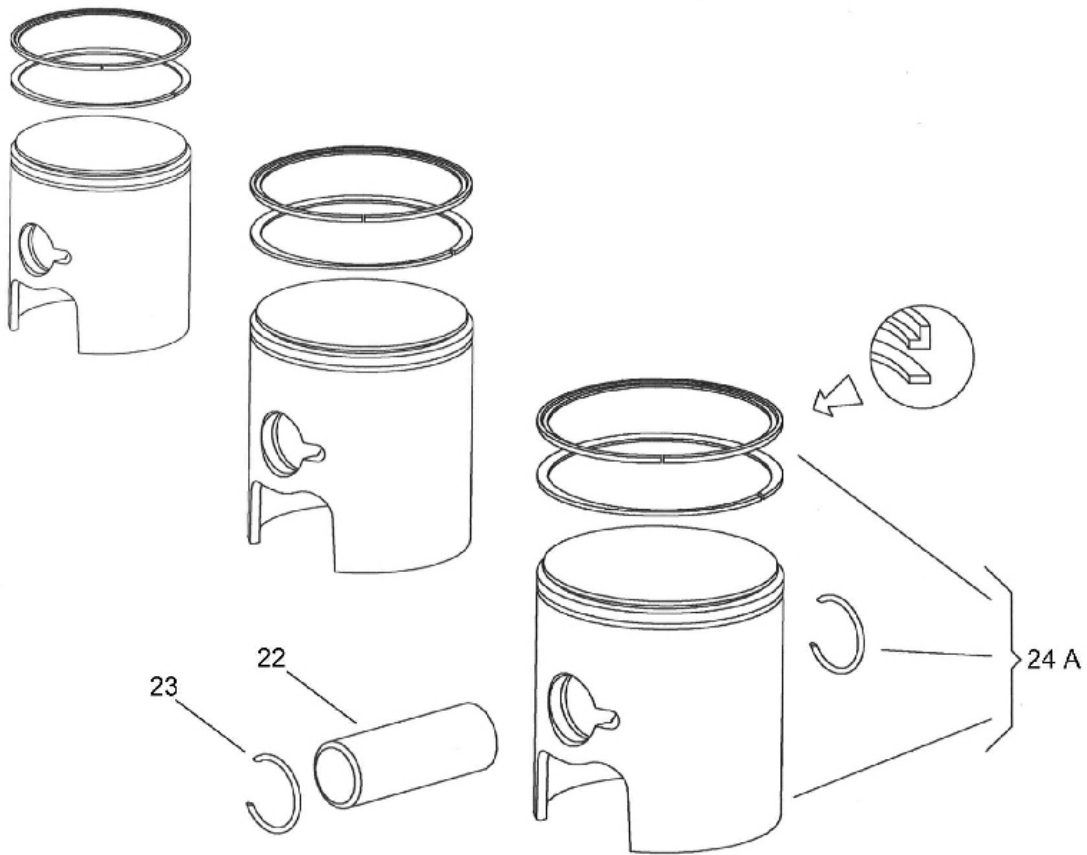


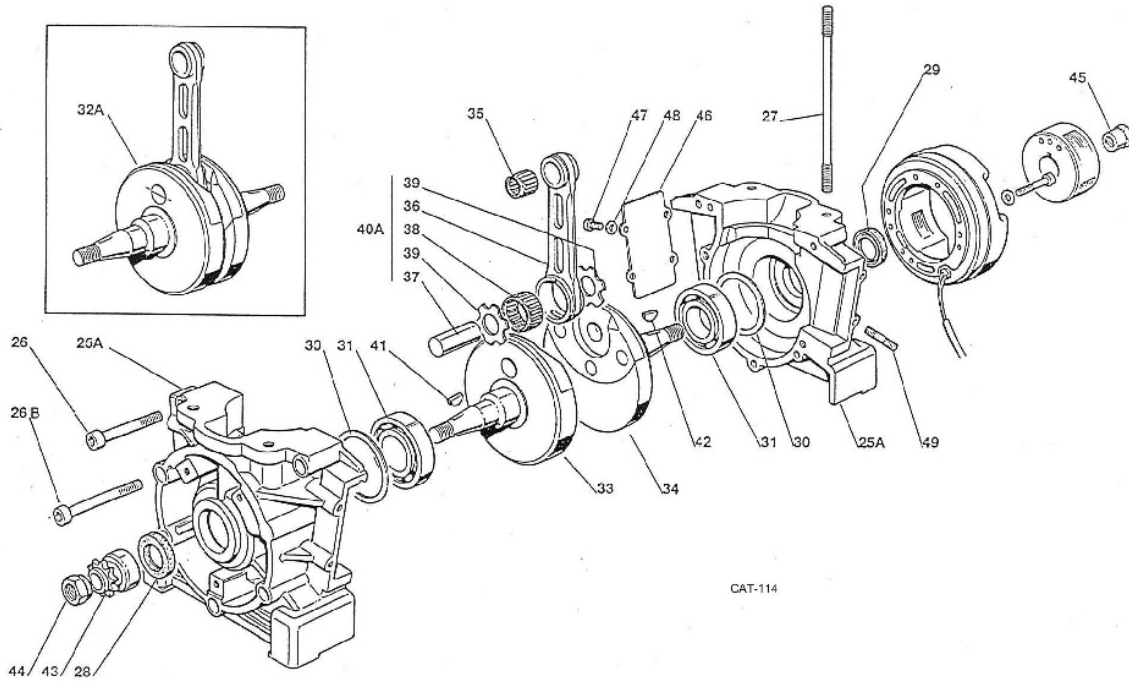
# komet K55 TT



CAT-120



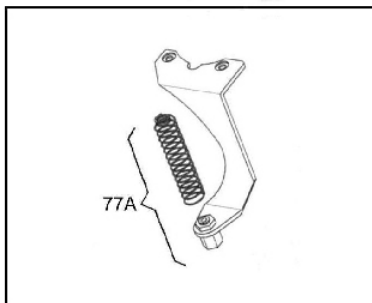
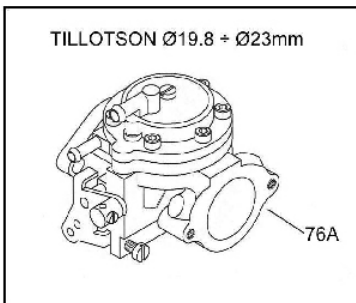
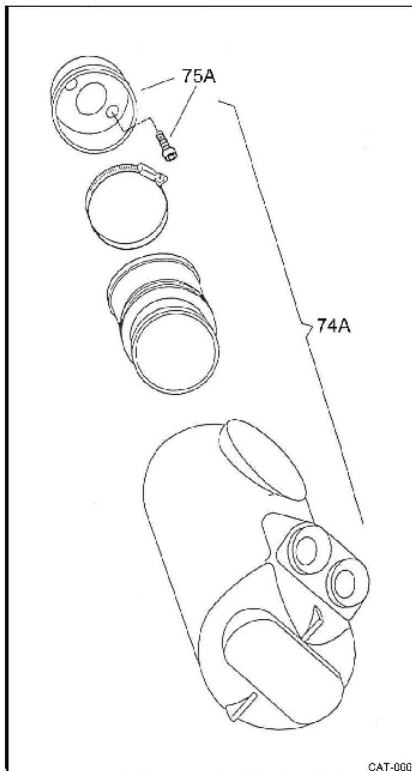
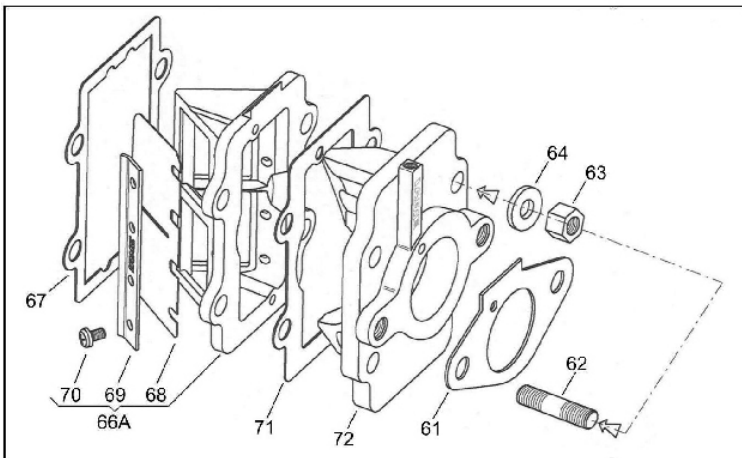
CAT-145



CAT-114

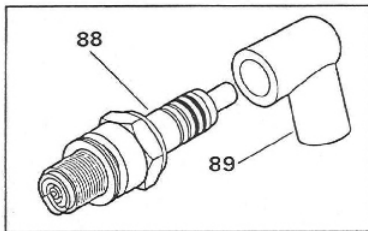
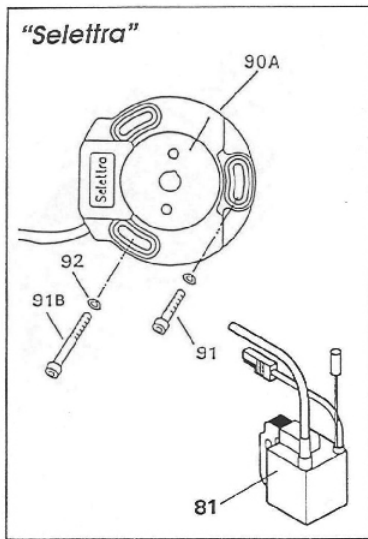
GRUPPO ALIMENTAZIONE A LAMELLE - REED VALVE INLET GROUP -  
 GROUPE ALIMENTATION A CLAPETS

FILTRO ARIA - AIR FILTER - FILTRE AIR



CAT-000

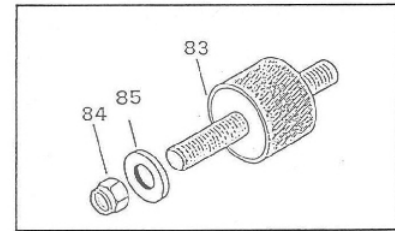
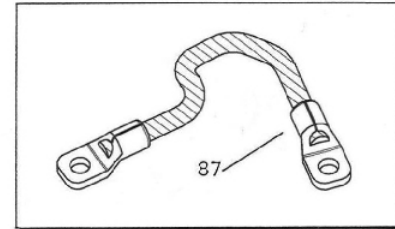
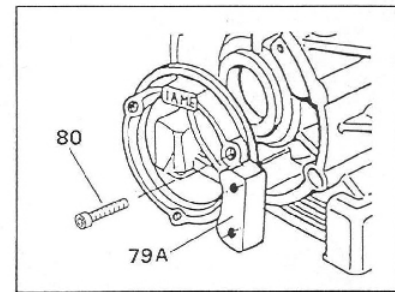
ACCENSIONI ELETTRICHE - ELECTRONIC IGNITIONS - ALLUMAGES ELECTRONIQUES



**IMPORTANTE:**  
Questo motore è equipaggiato con una accensione SELETTRA STANDARD che ha l'anticipo a mm 2.4 prima del P.M.S. L'estrattore e gli attrezzi sono illustrati nel CATALOGO ATTREZZI, separato.

**IMPORTANT:**  
This engine is provided with a SELETTRA STANDARD ignition whose advance is settled at mm 2.4 before T.D.C. Puller and toolings for the ignition disassembly are shown on the TOOLS CATALOG, separately.

**IMPORTANT:**  
Ce moteur est équipé d'un allumage SELETTRA STANDARD avec avance fixée à 2.4mm avant le P.M.S. L'extracteur et les outils pour le démontage de l'allumage sont illustrés dans le CATALOGUE OUTILS, séparé.



CAT-100

K55\_parte\_alta

KOMET		TESTA E CILINDRO		HEAD AND CYLINDER	CULASSE ET CYLINDRE	Engine		
Fig.	Code	Descrizione	Dim.	Description	Description	K55TT	K55TT-JAP-SUP	K55TT-PROMO
1	55040	TESTA cilindro		Cylinder HEAD	CULASSE cylindre	X	X	X
2	10350	DADO testa		Head NUT	ECROU culasse	X	X	X
2	10351	DADO testa		Head NUT	ECROU culasse			X
3	.00303	RONDELLA dado testa	M8	Head nut WASHER	RONDELLE ecrou culasse	X	X	X
11	55045-A	GUARNIZIONE cilindro	4\10	Cylinder GASKET	JOINT cylindre	X	X	X
11	55046	GUARNIZIONE cilindro	2\10	Cylinder GASKET	JOINT cylindre	X	X	X
13A	55030	CILINDRO completo		Complete CYLINDER	CYLINDRE Complet	X		
13A	55032	CILINDRO completo		Complete CYLINDER	CYLINDRE Complet			X
13A	55034	CILINDRO completo		Complete CYLINDER	CYLINDRE Complet			X
14	55010	CARCASSA cilindro		Cylinder BARREL	CORPS cylindre	X		X
14	55012	CARCASSA cilindro		Cylinder BARREL	CORPS cylindre			X
15	55020	CANNA cilindro		Iron LINER	CHEMISE en fonte	X	X	
15	55024	CANNA cilindro		Iron LINER	CHEMISE en fonte			X
136	.00044	VITE scarico	M6x20	Exhaust SCREW	VIS echappement	X		X
136	B-75355	PRIGIONIERO scarico	M8x36	Exhaust STUDBOLT	GOUJON echappement			X
137	55360	GUARNIZIONE scarico		Exhaust pipe GASKET	JOINT pipe echappement	X		X
137	55361	GUARNIZIONE scarico		Exhaust pipe GASKET	JOINT pipe echappement			X
138	55365	RACCORDO scarico		Exhaust PIPE	PIPE echappement	X		X
138	55368	RACCORDO scarico		Exhaust PIPE	PIPE echappement			X
139	.00303	RONDELLA dado testa	M8	Head nut WASHER	RONDELLE ecrou culasse	X	X	X
140	B-75660	DADO scarico	M8	Exhaust NUT	ECROU echappement			X
141	10710	FLESSIBILE L.10cm.	D. 40mm.	FLEXIBLE L.10cm.	FLEXIBLE L. 10cm.	X		X
141	10711-B	FLESSIBILE L. 13 cm.	D. 45mm.	FLEXIBLE L. 13 cm.	FLEXIBLE L. 13 cm.			X

## K55\_pistones

KOMET		PISTONE		PISTON		PISTON		Engine		
Fig.	Code	Descrizione	Dim.	Description	Description	K55TT	K55TT-JAP-SUP	K55TT-PROMO		
22	10320	SPINOTTO 1^ selezione		Piston PIN 1^ sel.	AXE de piston 1^ sel.	X	X	X		
22	10320	SPINOTTO 2^ selezione		Piston PIN 2^ sel.	AXE de piston 2^ sel.	X	X	X		
22	10320	SPINOTTO 3^ selezione		Piston PIN 3^ sel.	AXE de piston 3^ sel.	X	X	X		
23	10341-A	ANELLINO ferma spinotto		CIRCLIP	ARRET axe de piston	X	X	X		
24A	A-55050-CV	PISTONE completo verde	50.80	Complete green PISTON	PISTON complet vert	X	X	X		
24A	A-55050-CR	PISTONE completo rosso	50.80	Complete green PISTON	PISTON complet vert	X	X	X		
24A	A-55060-CV	PISTONE completo verde	50.84	Complete green PISTON	PISTON complet vert	X	X	X		
24A	A-55060-CR	PISTONE completo rosso	50.84	Complete green PISTON	PISTON complet vert	X	X	X		
24A	A-55075-CV	PISTONE completo verde	50.90	Complete green PISTON	PISTON complet vert	X	X	X		
24A	A-55075-CR	PISTONE completo rosso	50.90	Complete green PISTON	PISTON complet vert	X	X	X		
24A	A-55085-CV	PISTONE completo verde	50.94	Complete green PISTON	PISTON complet vert	X	X	X		
24A	A-55085-CR	PISTONE completo rosso	50.94	Complete green PISTON	PISTON complet vert	X	X	X		
24A	A-55100-CV	PISTONE completo verde	51.00	Complete green PISTON	PISTON complet vert	X	X	X		
24A	A-55100-CR	PISTONE completo rosso	51.00	Complete green PISTON	PISTON complet vert	X	X	X		
24A	A-55110-CV	PISTONE completo verde	51.04	Complete green PISTON	PISTON complet vert	X	X	X		
24A	A-55110-CR	PISTONE completo rosso	51.04	Complete green PISTON	PISTON complet vert	X	X	X		
24A	A-55119-CV	PISTONE completo verde	51.10	Complete green PISTON	PISTON complet vert	X	X	X		
24A	A-55119-CR	PISTONE completo rosso	51.10	Complete green PISTON	PISTON complet vert	X	X	X		
24A	A-55125-CV	PISTONE completo verde	51.14	Complete green PISTON	PISTON complet vert	X	X	X		
24A	A-55125-CR	PISTONE completo rosso	51.14	Complete green PISTON	PISTON complet vert	X	X	X		
24A	A-55133-CV	PISTONE completo verde	51.20	Complete green PISTON	PISTON complet vert	X	X	X		
24A	A-55133-CR	PISTONE completo rosso	51.20	Complete green PISTON	PISTON complet vert	X	X	X		
24A	A-55136-CV	PISTONE completo verde	51.22	Complete green PISTON	PISTON complet vert	X	X	X		
24A	A-55136-CR	PISTONE completo rosso	51.22	Complete green PISTON	PISTON complet vert	X	X	X		

## K55\_carter

KOMET		BASAMENTO E ALBERO MOTORE		CRANKCASE AND CRANKSHAFT		CARTER ET VILEBREQUIN		Engine		
Fig.	Code	Descrizione	Dim.	Description	Description	K55TT	K55TT-JAP-SUP	K55TT-PROMO		
25A	55485	BASAMENTO completo		Complete CRANKCASE	CARTER complet	X	X			
25A	55487	BASAMENTO completo		Complete CRANKCASE	CARTER complet			X		
26	.00051	VITE basamento	M6x55	Crankcase SCREW	VIS carter	X	X	X		
27	E-38346	<b>TIRANTE cilindro</b>	<b>8x146</b>	<b>Cylinder TIE-ROD</b>	<b>GOUJON cylindre</b>	X	X	X		
28	10426	ANELLO TENUTA l.trasmis.	17x28x7	Drive side OIL SEAL	ANNEAU transmis.	X	X	X		
29	10426	ANELLO TENUTA l.accens.	17x28x7	Magn. side OIL SEAL	ANNEAU magneto	X	X	X		
30	10407	RASAMENTO acciaio	0,1mm	Steel SHIM	RONDELLE acier	X	X	X		
30	10409	RASAMENTO acciaio	0,15mm	Steel SHIM	RONDELLE acier	X	X	X		
31	10400-A	CUSCINETTO 6204 C4 NSK		BALL BEARING 6204 C4 NSK	ROULEMENT 6204 C4 NSK	X	X	X		
32A	55615-43	ALBERO MOTORE completo		Complete CRANKSHAFT	VILEBREQUIN complet	X				
32A	55617-43	ALBERO MOTORE completo		Complete CRANKSHAFT	VILEBREQUIN complet			X		
32A	55618-43	ALBERO MOTORE completo		Complete CRANKSHAFT	VILEBREQUIN complet		X			
33	55390	SEMIALBERO l. trasmissione		Drive s.HALF CRANKSHAFT	DEMI VILEBREQUIN trans.	X	X	X		
34	55390	SEMIALBERO l. accensione		Magn.s.HALF CRANKSHAFT	DEMI VILEBREQUIN magn.	X	X	X		
35	10440	GABBIETTA piede biella		Small end CAGE	CAGE pied bielle	X	X	X		
36	11458	BIELLA HI-FI	nt.96mm.	HI-FI CONROD	BIELLE HI-FI			X		
36	11459	BIELLA HI-FI GKT	nt.96mm.	HI-FI GKT CONROD	BIELLE HI-FI GKT			X		
36	55456	BIELLA stampata	nt. 96mm	Forged CONROD	BIELLE forgée	X				
37	11450	ASSE accoppiamento	8x43 mm	CRANKPIN	AXE de vilebrequin	X	X	X		
38	B-10431	GABBIETTA testa biella 15 R	8x43 mm	Big end CAGE 15 R	CAGE axe vilebrequin 15R	X	X	X		
39	E-38436	RONDELLA bronzo		Bronze WASHER	RONDELLE bronze	X	X	X		
40A	11458-43-J	BIELLA completa HI-FI	nt. 96mm	Complete HI-FI CONROD	BIELLE complete HI-FI			X		
40A	11459-43	BIELLA completa HI-FI	nt. 96mm	Complete HI-FI CONROD	BIELLE complete HI-FI		X			
40A	55456-43-J	BIELLA completa stampata	nt. 96mm	Complete forged CONROD	BIELLE complete forgée	X				
41	10375	CHIAVETTA pignone	0x3,7x2,5	Sprocket KEY	CLAVETTE pignon	X	X	X		
42	10375	CHIAVETTA volano	0x3,7x2,5	Magneto KEY	CLAVETTE magneto	X	X	X		
43	10531-A	PIGNONE Z9 - J		SPROCKET 9 teeth - J	PIGNON 9 dents - J	X	X	X		
43	10533-A	PIGNONE Z10 - J		SPROCKET 10 teeth - J	PIGNON 10 dents - J	X	X	X		
44	10535	DADO pignone		Sprocket NUT	ECROU pignon	X	X	X		
45	10535	DADO volano		Magneto NUT	ECROU magneto	X	X	X		
46	10582	TARGHETTA Komet		Komet PLATE	PLAQUETTE Komet	X	X	X		
47	.00059	VITE targhetta	M6x12	Plate SCREW	VIS plaquette	X	X	X		
48	.00321	RONDELLA vite targhetta	M6	Plate screw WASHER	RONDELLE vis plaquette	X	X	X		
49	10358	PRIGIONIERO gruppo lamelle	M6x34	Reed group STUDBOLT	GOUJON groupe clapets	X	X	X		

## K55\_admision

KOMET		AMMISSIONE		INLET	ADMISSION	Engine		
Fig.	Code	Descrizione	Dim.	Description	Description	K55TT	K55TT-JAP-SU	K55TT-PROMO
61	10360-A	GUARNIZIONE racc.carburat.		Manifold carb. GASKET	JOINT raccord carburateur	X	X	X
62	10525	PRIGIONIERO fis.carburatore	M6x25	Fix.carburetor STUDBOLT	GOIJON fix.carburateur	X	X	X
63	.00351	DADO prigioniero	M6	Studbolt NUT	ECROU goujon	X	X	X
64	.00302	RONDELLA dado prigioniero	M6	Studbolt nut WASHER	RONDELLE ecrou goujon	X	X	X
66A	11827	GRUPPO LAMELLE	0.30mm.	REED GROUP	GRUPE CLAPETS	X		
66A	11828-A	GRUPPO LAMELLE gommato	0.30mm.	Rubber coated REED GROU	GRUPE CLAPETS avec caoutc	X	X	X
67	11810	GUARNIZIONE racc.basam.		Crankcase manifold GASKET	JOINT carter/raccord	X	X	X
68	11840	LAMELLA singola	0.30mm.	Reed PETAL	CLAPET	X	X	X
69	11845	FERMA lamelle		Reeds CLIP	ARRET clapets	X	X	X
70	10380	VITE fissaggio lamella		Reeds SCREW	VIS clapets	X	X	X
71	11805-A	GUARNIZIONE racc.carburat.		Manifold carb GASKET	JOINT raccord carburateur	X	X	X
72	25816	RACCORDO carburatore	D.26 mm.	Carburetor MANIFOLD	RACCORD carburateur	X	X	X
74A	10745-C	SILENZIATORE D'ASP.comp		Compl. INTAKE SILENC.	SILENC. D'ASPIR. compl.	X	X	X
75A	10771-C	SUPPORTO silenz.d'aspiraz.		Intake silencer SUPPORT	SUPPORT silenc.d'aspir.	X	X	X
76A	10915	CARBURATORE Tillotson	19,8 mm	Tillotson CARBURETOR	CARBURATEUR Tillotson	X	X	X
76A	10916B	CARBURATORE Tillotson	23 mm	Tillotson CARBURETOR	CARBURATEUR Tillotson	X	X	X
77A	B-35520-C	LEVA cavo gas		Accelerator cable DEVICE	LEVIER cable accellerateur	X	X	X

## K55\_encendido

KOMET		ACCENSIONE		IGNITION	ALLUMAGE	Engine		
Fig.	Code	Descrizione	Dim.	Description	Description	K55TT	K55TT-JAP-SUP	K55TT-PROMO
79A	B-75510-C	SUPPORTO bobina completo		Complete Coil SUPPORT	SUPPORT bobine complet	X	X	X
80	.00032	VITE supporto	M5x20	Support SCREW	VIS support	X	X	X
81	10024	BOBINA Selettra nera		Black Selettra COIL	BOBINE Selettra noire	X	X	X
82	.00045	VITE fissa bobina Selettra	M6x25	Selettra coil SCREW	VIS bobine Selettra	X	X	X
85	.00302	RONDELLA	M6	WASHER	RONDELLE	X	X	X
88	10561-A	CANDELA NGK BR10EG		SPARK PLUG NGK BR10EG	BOUGIE NGK BR10EG	X	X	X
89	10541	PIPETTA in gomma		Rubber CAP	PIPETTE en caoutchouc	X	X	X
90A	10014-F	ACCENSIONE Selettra nera		Black Selettra IGNITION	ALLUMAGE Selettra noire	X	X	X
91	.00034	VITE accensione Selettra	M5x25	Selettra ignition SCREW	VIS allumage Selettra	X	X	X
91B	.00039	VITE accensione Selettra	M5x40	Selettra ignition SCREW	VIS allumage Selettra	X	X	X
92	.00301	RONDELLA vite accensione	M5	Ignition screw WASHER	RONDELLE vis allumage	X	X	X